



General Information: Door Closers are mechanical devices that use tension springs and hydraulics to control the closing and latching speed of a door. Door Closers are primarily used on Fire Doors to restrict the movement of smoke and heat into the path of egress. Door Closers are also used on exterior doors to help maintain temperature inside a structure and provide constant latching to help maintain physical security. Door Closers come in a variety of types, but regardless of the different types, they all perform the same basic functions.

Surface Closers: A surface closer is mounted on the interior or exterior side of the door and jamb. This closing device can be mounted in four different configurations, Regular Arm , Parallel Arm, Top Jamb and Slide Track.

Concealed in The Door: This closer body is concealed in the top of the door and is invisible when the door is closed. This closer provides better aesthetics and greater security since the closer is hidden.

Concealed in The Head: This type of closer is also known as as a “Transom Closer” This closer is concealed in the door frame. This type of closer provides better aesthetics but is more labor intensive to install and remove. One advantage of this type of installation, is that the door can swing in two directions rather that just one.

Concealed in The Floor: This type of closer is also known as as a “Floor Closer” This closer is concealed in the floor. Concealed in the floor closers usually have mechanical dead stop, built in to provide a physical hard stop for the door without having to use the door frame, a special arm or an auxiliary door stop. One advantage of this type of installation, is that the door can swing in two directions rather that one.

Closer Cycles

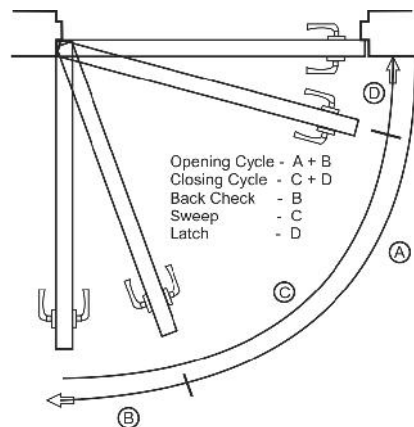
Closing Cycle: The entire length of travel from where the door is in the fully open position until the door is completely closed and latched

Opening Cycle: The entire length of travel from where the door in the closed position until it reaches the fully open position including the back check cycle

Latch: The last 15 degrees of the closing cycle before the lock engages the strike. This cycle allows the door speed to be decreased before it latches reducing the stress on the frame

Back Check: The last 15 Degrees of the opening cycle before the closer reaches its maximum opening limit. This cycle slows the door down before it reaches the mechanical end of the opening cycle.

Sweep: The distance between the end of the opening cycle until the beginning of the latch cycle



Technical Note: Back check should never be used to replace an overhead stop or a physical door stop

Adjustments and Options

Delay: An pause at the end of the opening cycle before the closing cycle begins

Power Adjustable: A mechanical function of a door closer that allows a person to increase or decrease the opening and closing strength of the closer

Drop Plate: A metal plate used when a ceiling, frame or door condition does not permit any of the standard surface closer mounting styles

Surface Closer Mountings

Regular Arm: Pull side mounting where the standard closer arm is used. This mounting is the most geometrically efficient for the closer

Top Jamb: Push side mounting where the closer is mounted on the frame and the arm on the door. This mounting is the next best alternative to the Regular arm mounting. Suggested for exterior doors

Parallel Arm: This push side application provides the most appealing appearance for a surface mounted door closer having a standard arm. With the arm running parallel to the door, this application is less prone to vandalism. A Parallel Arm Application will allow the door to swing up to 180 degrees in one direction, but due to the arm configuration there is a 25 percent loss of power compared to regular and top jamb applications

ANSI GRADE 1 CAST IRON DOOR CLOSER D-3

Brookline is proud to present our full featured ANSI Grade 1 Cast Iron Door Closer. Our D880 Series door closer offers superior performance with all the full features you expect built into our standard closer. We believe it will not only meet your expectations, but exceed them.

D880 Cast Iron Door Closer
ANSI Grade 1
Full Cover



Certifications

- ANSI A156.4, BHMA Certified adjustable size 1-6
- ANSI A117.1 Accessibility Code ADA compliant

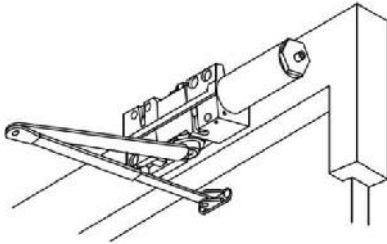
Specifications

Base Material	Cast Iron
Cover	Full plastic cover - Standard Metal Cover Optional
Size Range	1-6 fully adjustable
Adjustments	Adjustable latching and sweep Adjustable backcheck valve Delayed action - Optional
Mounting	Regular, Top Jamb, and Parallel Arms - Standard
Door Thickness	1-3/4" (45 mm) 2-1/4" (57 mm) - Optional
Fasteners	Self Drilling, Self Tapping Machine & Wood Screws SNB (sex nuts and bolts)
Corrosion Resistance	Rust inhibiting primer

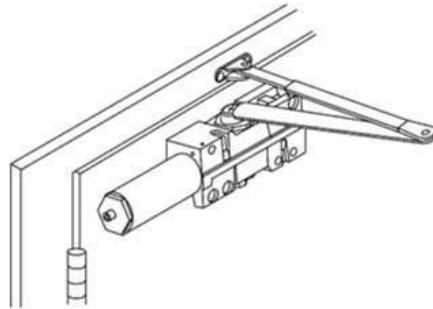
Available Finishes: AL (689), DBZ, (690)

Plated Finishes By Special Order

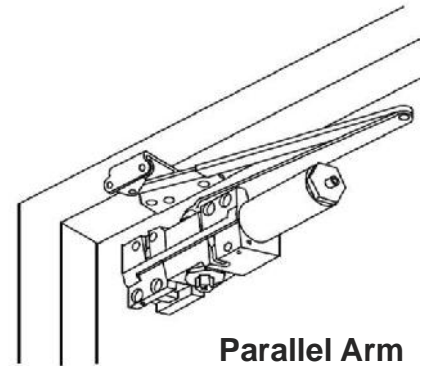
D880 Series
Mounting



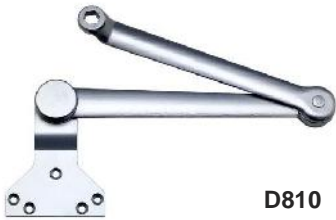
Top Jamb



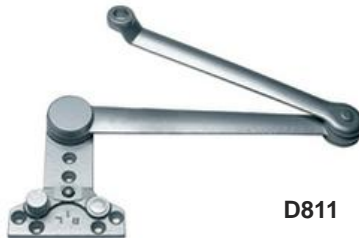
Regular Arm



Parallel Arm



D810



D811



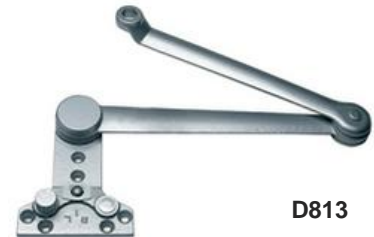
D812

Optional Arms:

- D801 Standard Arm (Not Pictured)
- D802 Hold Open Arm
- D810 Extended Duty Arm
- D811 Extended Duty Stop Arm
- D812 Extended Duty Stop & Hold Arm
- D813 Ext. Duty Soft Stop Arm
- D814 Ext. Duty Soft Stop & Hold Arm



D802



D813

Technical Note: Extended Duty Arms Only Available for Parallel Arm Application

Drop Plates:

- D821 Drop Plate Push Side
- D822 Drop Plate Parallel Arm Push Side
- D823 Drop Plate Top Jamb Push Side
- D824 Drop Plate Top Jamb Push Side



D821 Push Side



D823 Push Side Top Jamb

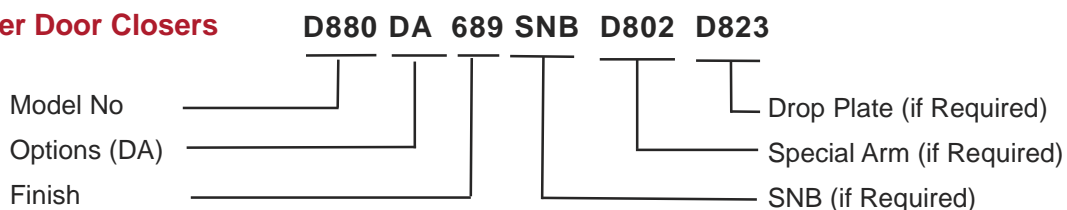


D822 Parallel Arm



D824 Push Side Top Jamb

How To Order Door Closers



D700 Series Door Closer

Full Featured closer with adjustable spring power, back check, closing and latching speed adjustments



D700T Series Door Closer with Track Arm

Full Featured closer with adjustable spring power, back check, closing and latching speed adjustments



Specifications

ANSI 156.4 Grade 1 Commercial Grade Door Closer

Cast Aluminum Body With Corrosion Resistant Polymer Cover

Adjustable Back Check

Delayed Action - Optional

Independent Speed and Latch Adjustments

Power Adjustable Size 1 - 6

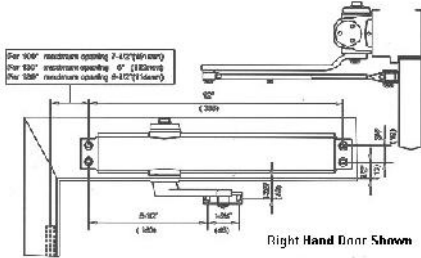
Low profile For Better Aesthetics

Barrier Free

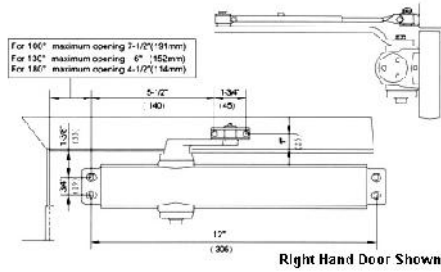
Available with Metal Cover

Available in Sprayed Aluminum, Sprayed Dark Bronze or Sprayed Brass.

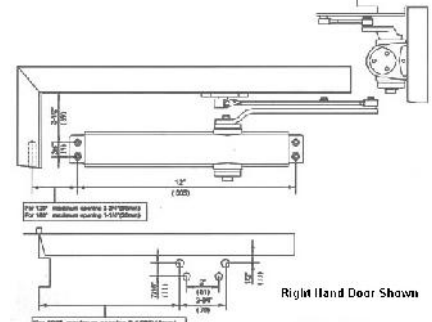
**D700 Series
Mounting**



Top Jamb



Regular Arm



Parallel Arm

Optional Arms:

- D701 Standard Arm (Not Pictured)
- D702 Hold Open Arm



D701

D702

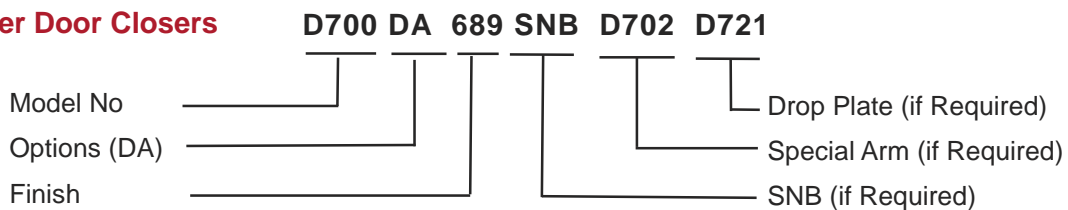
Drop Plates:

- D721 Drop Plate Push Side



D721 Push Side

How To Order Door Closers



Brookline is proud to present our full featured D-600C Series concealed closer. This closer offers superior performance and concealed design. With all the full featured options built into our closer, we believe it will not only meet your expectations, but exceed them.

D600C Series Concealed In The Door Closer

Full Featured closer with adjustable spring power, back check, closing and latching speed adjustments

D630 Closer

Size 3
Doors 3'0" x 7'0"
145lbs

D640 Series

Size 4
Doors 3'6" x 8;0"
190lbs

Note:

For Hold Open
Change 0 to 1
for Back Check
Change 0 to 2
For BC and HO
Change 0 to 3



Specifications

- Steel track
 - Steel slider
 - Aluminum Alloy Body
 - Standard, separate and independent, latch, sweep and back-check intensity valve
 - Rack-and-pinion design
 - Adjustable sweep speed
 - Adjustable latch speed
 - Adjustable backcheck positioning
- . Available with 630 Track Arm. Other Architectural Finishes By Request

Features

- Concealed Mounting
- Closer mounted in recessed opening in the top of the door.
- Depth of Door cutout 3-1/8”(80mm).
- Minimum Door Thickness
- Metal door : 1-3/4”(45mm)
- Wood door : 1-3/4”(45mm)

- Concealed Slide Track
- Independent Sweep And Latch Speed Control Valves
- Slide track concealed in the header.
- Installation requires a minimum 7/8”(22mm) header depth.
- Concealed Arm
- Adjustable Hold Open (Not Rated for Fire)
- Adjustable Back-check Valve

D600C Series Concealed In The Door Closer

Exploded Parts View

- 1) Body
- 2) Mounting Plate
- 3) Arm
- 4) Guide Rail
- 5) Slider
- 6) Side Cap
- 7) Stop Metal Fitting
(With Built-in Hold Open)
- 8) Flat Fillister Head Machine Screw
(M6 x 12mm)
- 9) Flat Head Machine Screw
(With M4 Head, M5 x 12mm)
- 10) Flat Head Self Tapping Screw
(4 x 25mm)
- 11) Flat Head Machine Screw
(M5 x 12mm)
- 12) Flat Head Self Tapping Screw
(5 x 30mm)

